

apex

APEX LEVER/PAD DOOR HANDLE



PRODUCT DESCRIPTION

Designed with both functionality and aesthetics in mind, our premium Apex Lever/Pad Long Back Plate door handle sets the standard for excellence. Designed and manufactured to the highest standards, the Apex Lever/Pad door handle delivers superb product functionality and performance. Select from a range of nine popular finishes to complement all doors.

FEATURES & BENEFITS

- Elegant ergonomic design with superior aesthetics.
- Part of the Apex range of premium quality hardware.
- Supplied with screws & spindles suitable for door thicknesses of 38-72mm.
 - Fixed spring assisted, guaranteeing horizontal handle return after every operation.
- Improved method of fixing pad to the backplate ensuring durability.
- Additional material around the cylinder hole to avoid 'slippage of cylinder'.
 - Available in inline lever, lever/pad and offset lever/pad.
- Nine finishes available; White, Black, Chrome, Gold, Satin Silver, Flint, Tungsten, Anthracite Grey and Antique Black.
 - 10 Year mechanical guarantee.
 - 10 Year surface guarantee on powder coated finishes.
 - 5 Year surface guarantee on plated finishes.
 - Coating tested to BS.EN: 2007 Grade 5.

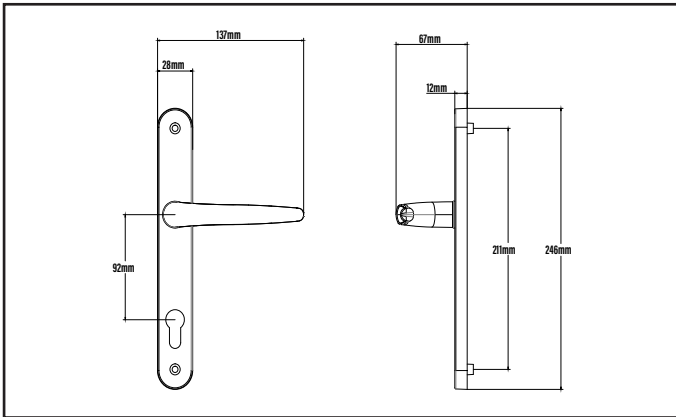


CALL US - 0113 243 2255
EMAIL US - sales@totalhardwareltd.co.uk

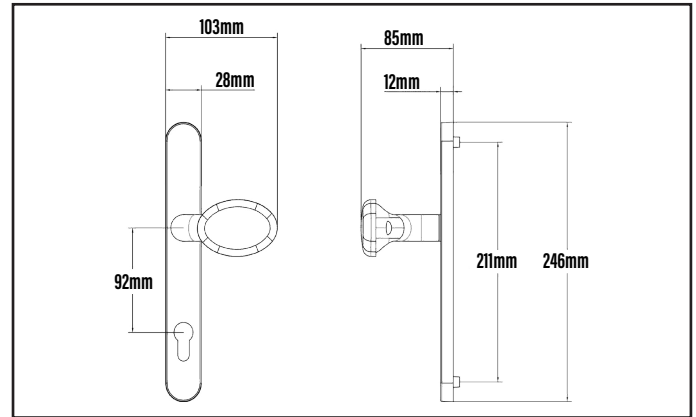
www.totalhardwareltd.co.uk

APEX LEVER/PAD DOOR HANDLE

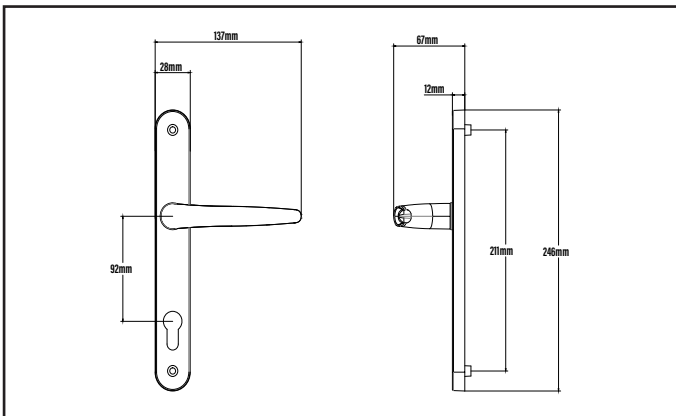
INLINE LEVER/PAD INTERNAL HANDLE



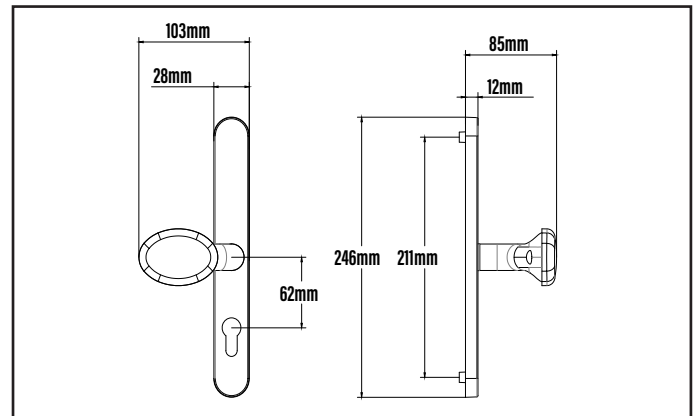
INLINE LEVER/PAD EXTERNAL HANDLE



OFFSET LEVER/PAD INTERNAL HANDLE



OFFSET LEVER/PAD EXTERNAL HANDLE



PACKAGING

Each outer box contains 10 individually boxed handles, each with screws and spindles included.

MAINTENANCE

To maintain a high quality appearance and operation we recommend that all external hardware is cleaned routinely, and moving parts are lightly lubricated a minimum of twice a year.

Products used within a one mile radius of coastal areas, building sites or large industrial areas, more regular cleaning will be required to prevent build-up of corrosive contaminants.