



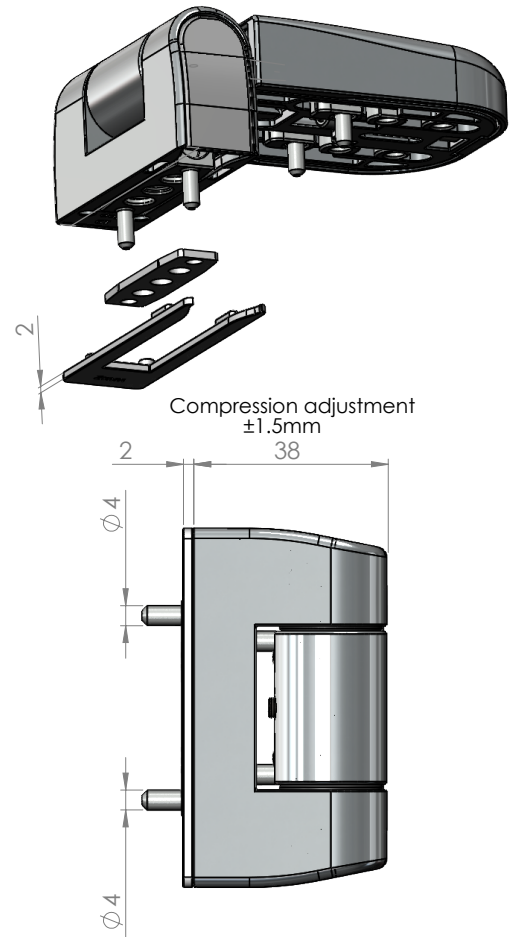
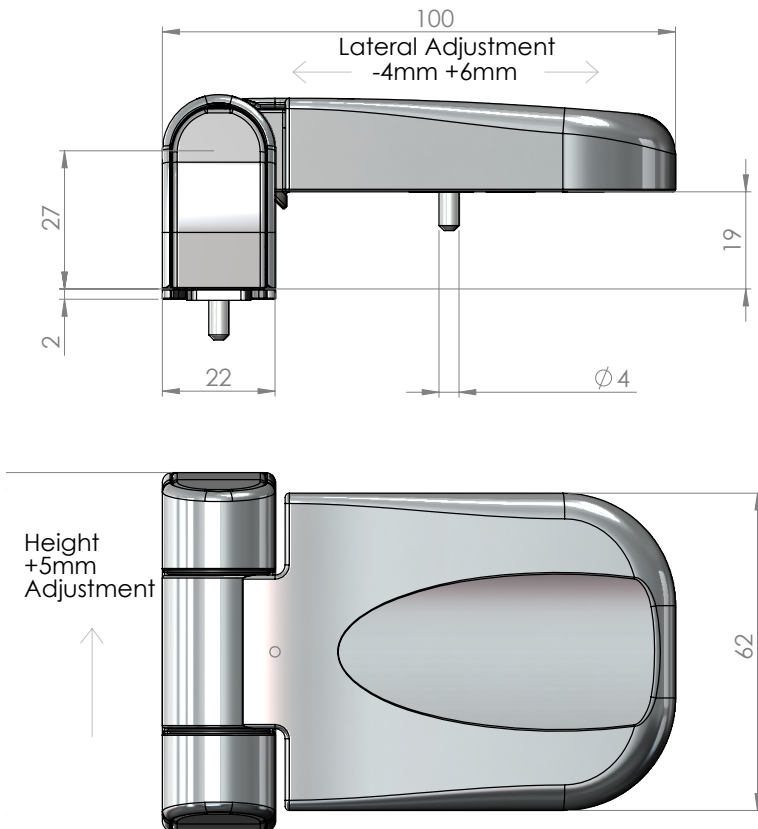
## PRODUCT DESCRIPTION

With an elegant, modern design this hinge has been designed with unique features to make it our most fitter friendly product. Its "front slide on or lift off" design ensures simple fitting and adjustment with no reveal limitations. The Rapid Fit hinge also has our most extensive range of colours with 15 options to choose from.

## FEATURES & BENEFITS

- Voted our most "fitter friendly" product
- Part of the fully suited Quantum Range
- +6mm/ -4mm lateral adjustment, +5mm vertical adjustment, +/-1.5mm compression adjustment
- Tested to PAS24: 2016 security requirements
- Fifteen finishes available; White, Black, Brown, Oak, Chrome, Gold, Brushed Silver, Flint, Tungsten, Anthracite Grey, Chartwell Green, Cream, Antique Black, Agate Grey and Slate Grey
- Non-handed
- Sash over Rebate packers available for all major profiles
- 10 Year mechanical guarantee
- 10 Year surface guarantee on powder coated finishes, 5 Year surface guarantee on plated finishes
- Coating tested to BS.EN: 2007 Grade 5
- Secured by Design accredited

# RAPID FIT DOOR HINGE



## PACKAGING

Each outer box contains 4 trays of 6 hinges including covercaps and pin

## MAINTENANCE

To maintain a high quality appearance and operation we recommend that all external hardware is cleaned routinely, and moving parts are lightly lubricated a minimum of twice a year. Products used within a 1 mile radius of coastal areas, building sites or large industrial areas, more regular cleaning will be required to prevent build up of corrosive contaminants.